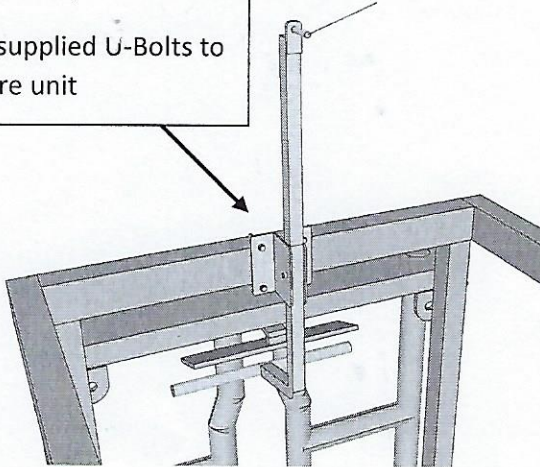


HG Assist Part 1

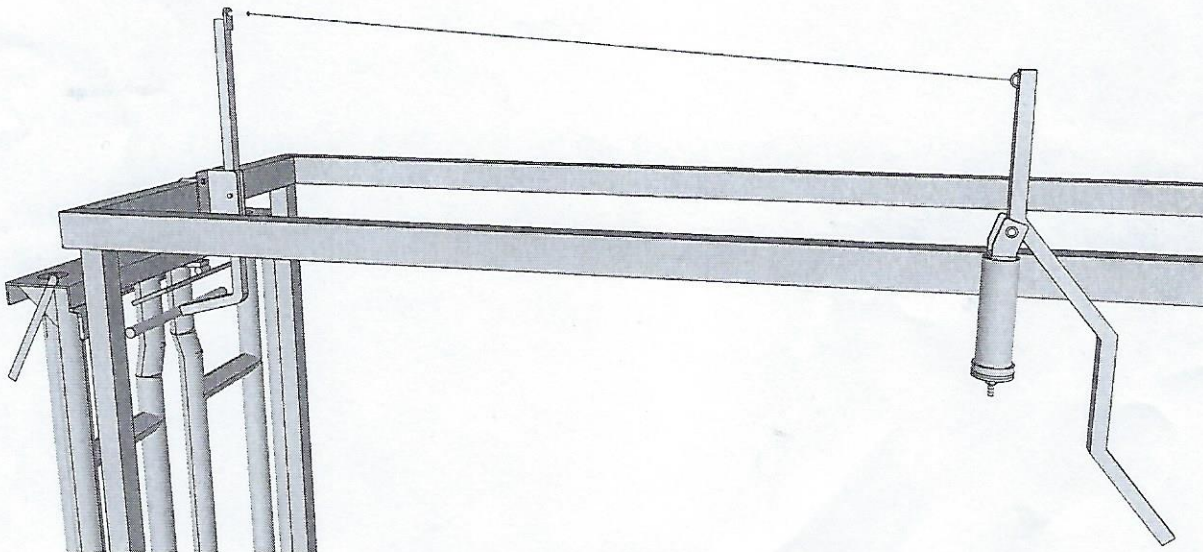
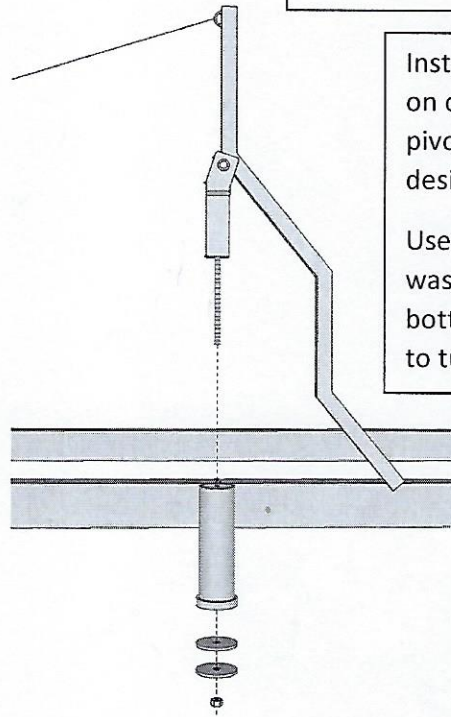
Install Part 1 on center of top frame closest to Head Gate,
Use supplied U-Bolts to secure unit



HG Assist Part 2

Install Part 2 as shown on of top frame rear pivot (choose side as desired).

Use both supplied washer plates at bottom to secure unit to tubing



HG Assist Completed Setup